



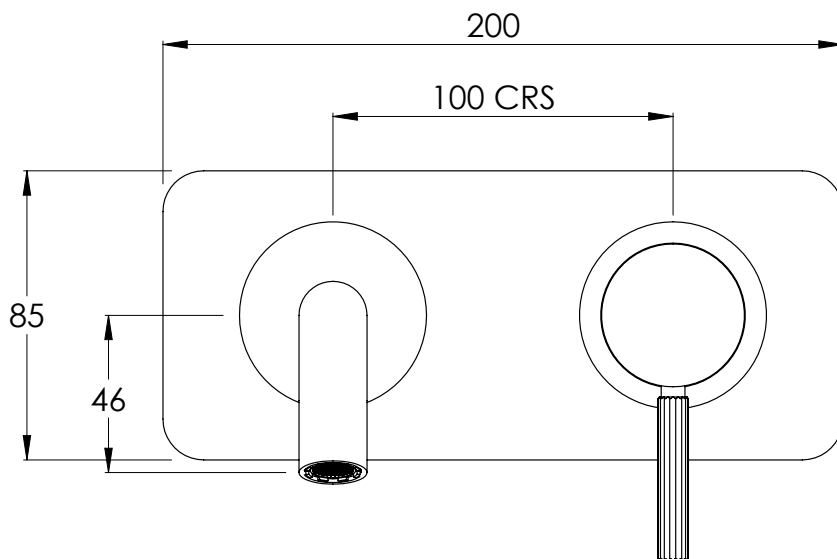
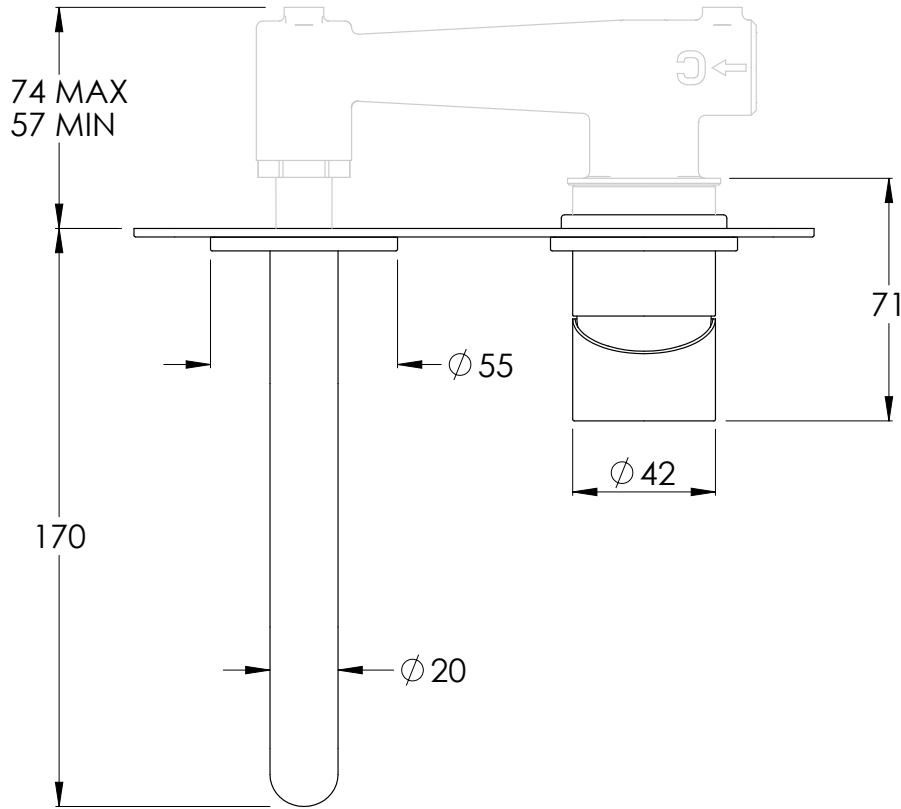
COALBROOK

DC 1009

WALL MOUNTED 2 HOLE BASIN  
MIXER WITH PLATE - TRIM

DATE: 09/09/21

REVISION: B



DIMENSIONS IN MILLIMETRES

WHILST EVERY EFFORT IS MADE TO ENSURE THE ACCURACY OF THESE DATA SHEETS THEY ARE SUBJECT TO CHANGE WITHOUT NOTICE AS PART OF THE COMPANY'S PRODUCT DEVELOPMENT PROCESS



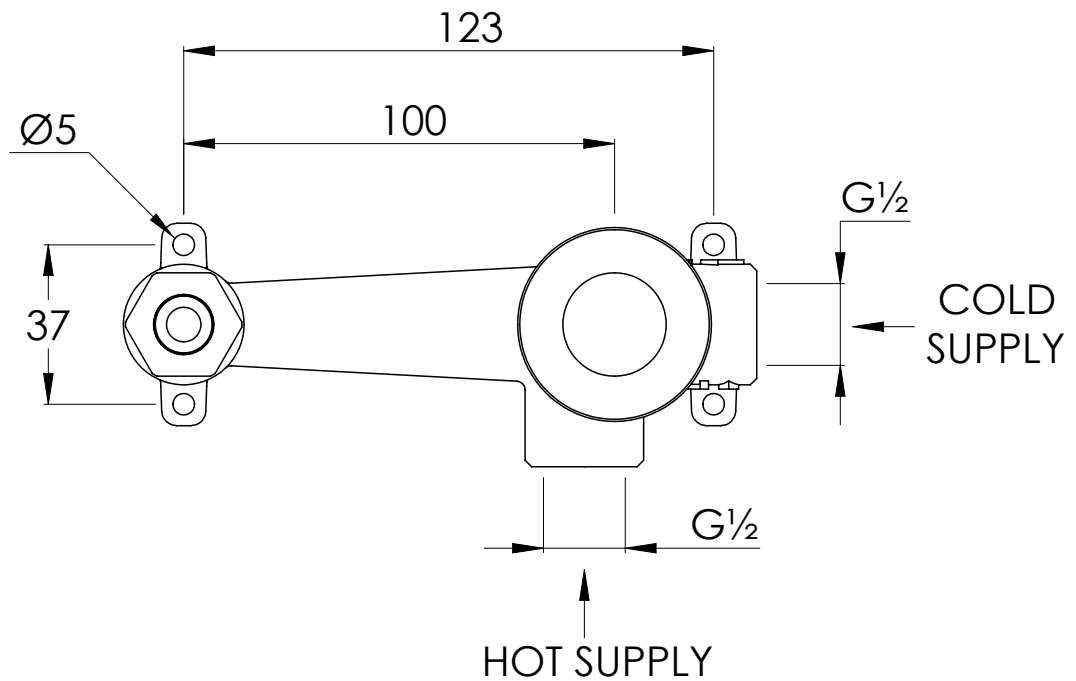
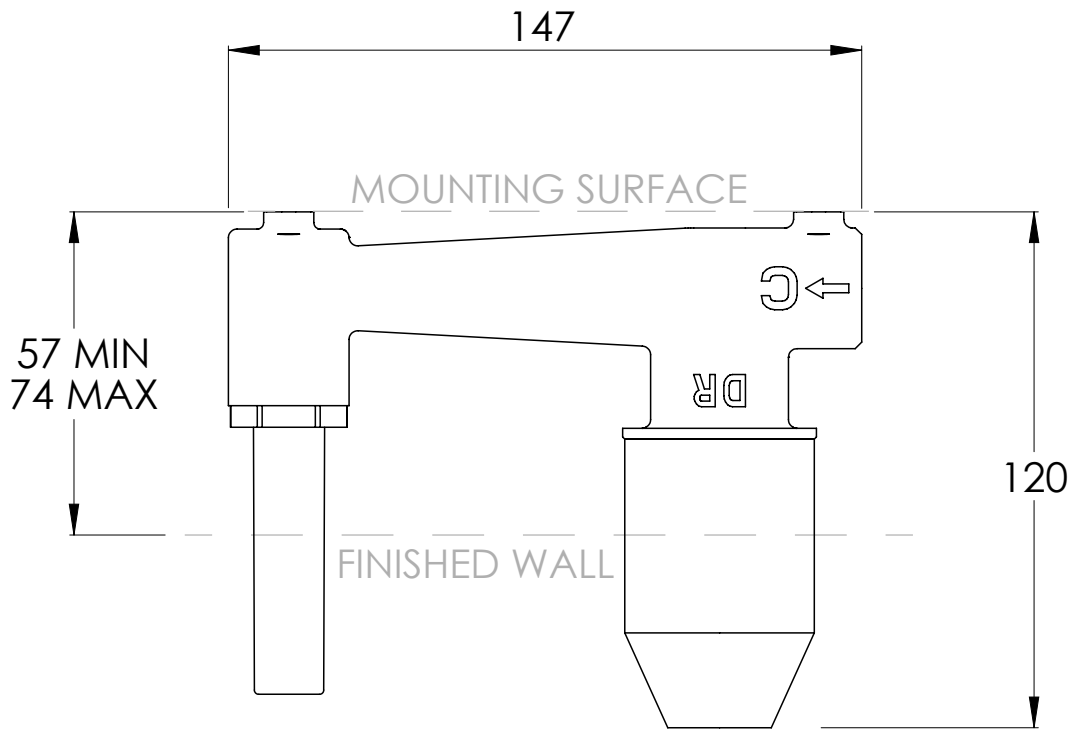
**COALBROOK**

**DC1009**

WALL MOUNTED 2 HOLE BASIN  
MIXER WITH PLATE - ROUGH

DATE: 03/09/19

REVISION: A



DIMENSIONS IN MILLIMETRES

WHILST EVERY EFFORT IS MADE TO ENSURE THE ACCURACY OF THESE DATA SHEETS THEY ARE SUBJECT TO CHANGE WITHOUT NOTICE AS PART OF THE COMPANY'S PRODUCT DEVELOPMENT PROCESS